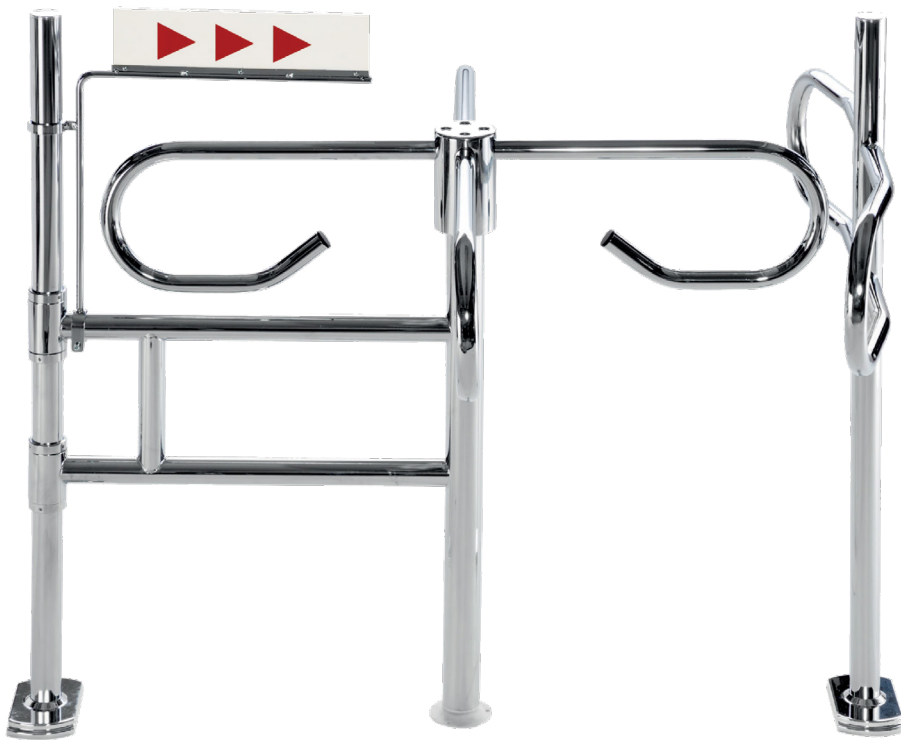


TURNOGATE

TURNSTILE FOR SHOP ENTRANCES



cominfo

By **GUNNEBO** Entrance Control

TURNOGATE

COMINFO TurnOGate is equipped with a double safety system, effortlessly controlling reverse rotation and ensuring emergency transit for both people and objects.

Elevate safety measures with our innovative device, seamlessly releasing the cart passageway for optimised control and utmost security.



TECHNICAL SPECIFICATIONS

FEATURES

DRIVE	Pushing mechanism
ROTATION	Unidirectional <small>(can be modified on the spot)</small>
WEIGHT	15 kg
IP DEGREE OF PROTECTION	IP 31

ANTI-PANIC MECHANISM

If the turnstile is closed, it remains closed and can be opened only manually via the anti-panic mechanism, forcibly unhooking the turnstile itself from the fixing support on the floor, without lifting the turnstile, and allowing it to rotate in the exit direction.

MATERIALS

UPRIGHT	Mirror-polished chrome plated steel
ARM	Mirror-polished chrome plated steel
SIGN PLATE	White screen-printed acrylic

APPLICATIONS

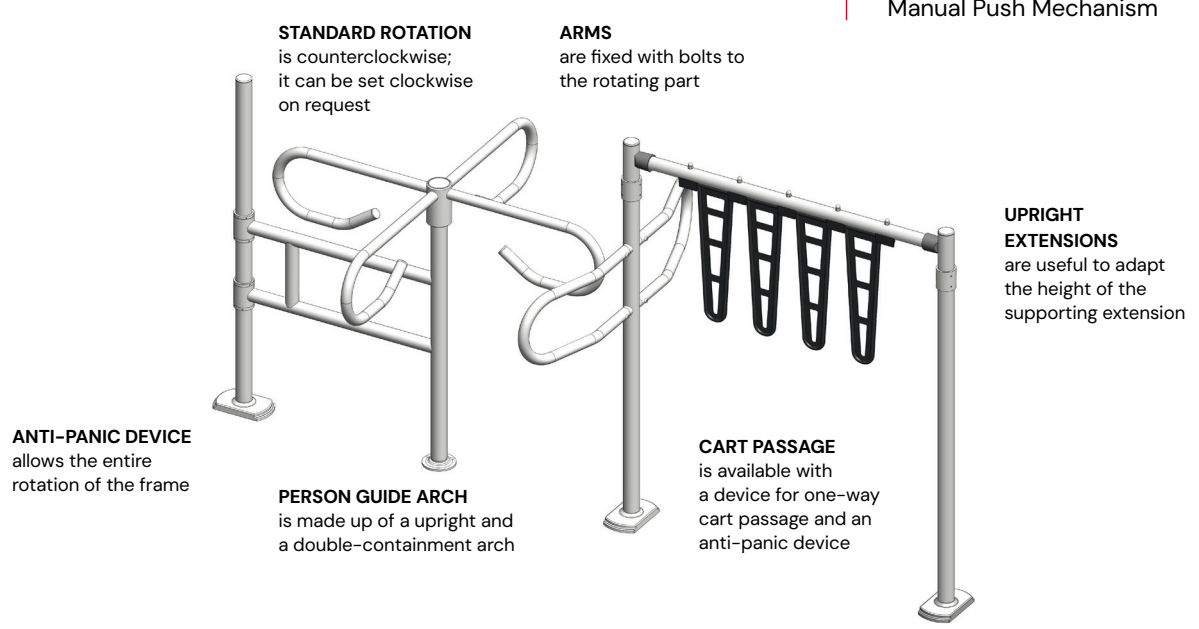
Hypermarkets, Supermarkets, Fitness Centres, Garden Centers, Leisure Centres, Health Clubs, Museums, Public Toilet Access

ACCESSORIES

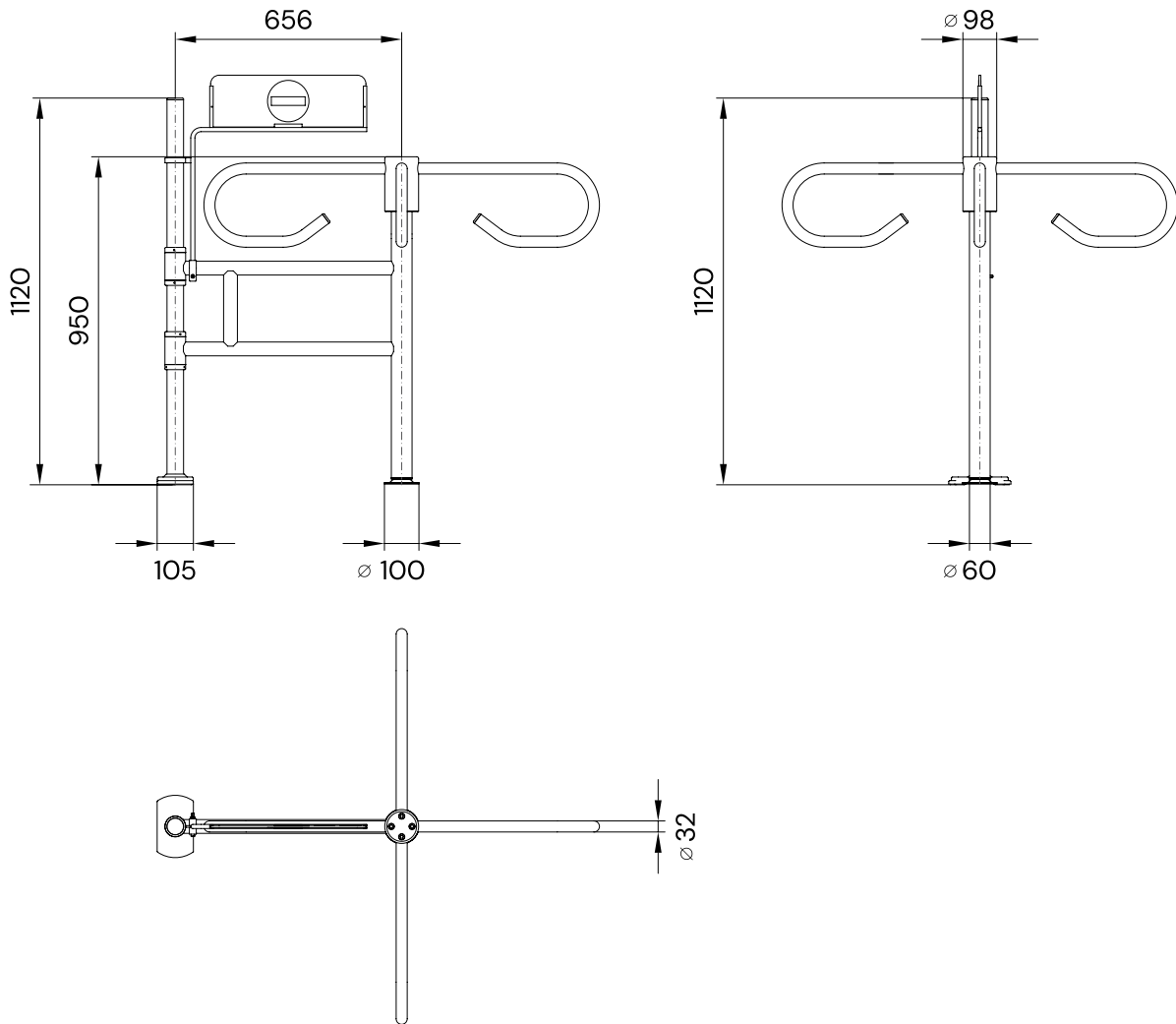
- Standard cart passage with 4, 6 or 8 black or RAL 7035 plastic flaps
- Cart passage with an anti-panic device and 4 black plastic flaps
- One way device with black, RAL 7035 or RAL 7005 plastic flaps
- Upright extensions
- Guide arch
- Indication signal
- Cart passage's indication signal

OPERATION

- Uni-Directional passage
- Manual Push Mechanism



SITE PREPARATION



IMPORTANT: All horizontal conductors required for cable passage and positioned under bases of gates and of typical system components for access control must be installed at least 150 mm deep. Any chased metal ducts must be positioned in axis with the ends of the gate. The customer is responsible for ensuring that our products are managed and maintained in accordance with the layout structure, connections and characteristics defined during installation. The dimensions specified on this data sheet are approximate. For correct installation, we suggest you contact your usual COMINFO Customer Service contact.

NOTES: For the purpose of making technical improvements to the products and refining the design, please note that technical drawings and instructions are subject to modification without prior notice.

